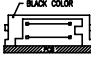



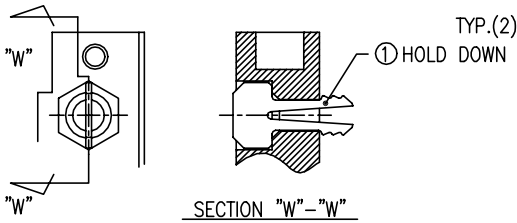
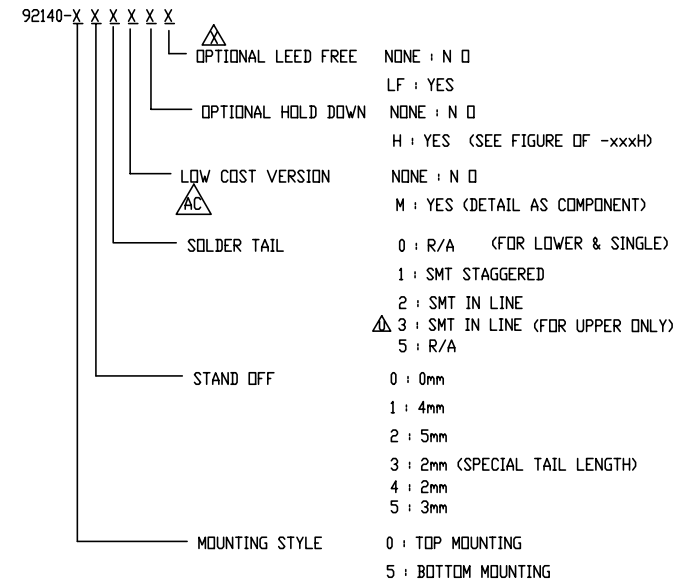
FCI CONFIDENTIAL

FCI

This document is the property of and embodies CONFIDENTIAL and PROPRIETARY information of FCI. No part of the information shown on this document may be used in any way or disclosed to others without the written consent of FCI. Copyright FCI.

PRODUCT NO.  
92140

PRODUCT NO.	STAND OFF	SOLDER TAIL	DIM "p" (mm)	DIM "q" (mm)	FOR LOWER DECK OR UPPER DECK	HOLD DOWN	LOCATOR FOR SOLDER TAIL ALIGNMENT	SHEET NO.	MOUNTING STYLE TO PCB		
92140-XXXX											
000	0	R/A	2.8	--	LOWER	NONE	NONE	ND2	TOP MOUNT 92140-XXXX 		
000M	0	R/A	2.8	--	LOWER	NONE	NONE				
000LF	0	R/A	2.8	--	LOWER	NONE	NONE				
000MLF	0	R/A	2.8	--	LOWER	NONE	NONE				
000H	0	R/A	2.8	--	LOWER	YES	NONE				
000HLF	0	R/A	2.8	--	LOWER	YES	NONE				
001	0	SMT STG.	--	--	LOWER	NONE	NONE				
001LF	0	SMT STG.	--	--	LOWER	NONE	NONE				
001H	0	SMT STG.	--	--	LOWER	YES	NONE				
001HLF	0	SMT STG.	--	--	LOWER	YES	NONE				
002	0	SMT IL.	--	--	LOWER	NONE	NONE				
002LF	0	SMT IL.	--	--	LOWER	NONE	NONE				
002H	0	SMT IL.	--	--	LOWER	YES	NONE				
002HLF	0	SMT IL.	--	--	LOWER	YES	NONE				
010	4	R/A	2.8	--	LOWER	NONE	YES			ND3	
010LF	4	R/A	2.8	--	LOWER	NONE	YES				
010H	4	R/A	2.8	--	LOWER	YES	YES				
010HLF	4	R/A	2.8	--	LOWER	YES	YES				
020	5	R/A	2.8	--	LOWER	NONE	YES				
020LF	5	R/A	2.8	--	LOWER	NONE	YES				
020MLF	5	R/A	2.8	--	LOWER	NONE	YES				
021MLF	5	R/A	2.8	--	LOWER	NONE	YES				
020H	5	R/A	2.8	--	LOWER	YES	YES				
020HLF	5	R/A	2.8	--	LOWER	YES	YES				
040	2	R/A	2.5	--	LOWER	NONE	NONE	ND4			
040LF	2	R/A	2.5	--	LOWER	NONE	NONE				
040HLF	2	R/A	2.5	--	LOWER	YES	NONE				
050	3	R/A	2.8	--	LOWER	NONE	YES				
050LF	3	R/A	2.8	--	LOWER	NONE	YES				
050H	3	R/A	2.8	--	LOWER	YES	YES				
050HLF	3	R/A	2.8	--	LOWER	YES	YES				
050	FDR 0	R/A	2.8	8.6	UPPER	NONE	YES				
050LF	FDR 0	R/A	2.8	8.6	UPPER	NONE	YES				
045	FDR 2	R/A	2.5	10.3	UPPER	NONE	YES				
045LF	FDR 2	R/A	2.5	10.3	UPPER	NONE	YES				
500	0	R/A	2.8	--	LOWER	NONE	NONE			ND5	BOTTOM MOUNT 92140-5XXX 
500LF	0	R/A	2.8	--	LOWER	NONE	NONE				
500H	0	R/A	2.8	--	LOWER	YES	NONE				
500HLF	0	R/A	2.8	--	LOWER	YES	NONE				
501	0	SMT STG.	--	--	LOWER	NONE	NONE				
501LF	0	SMT STG.	--	--	LOWER	NONE	NONE				
501H	0	SMT STG.	--	--	LOWER	YES	NONE				
501HLF	0	SMT STG.	--	--	LOWER	YES	NONE				
502LF	0	SMT IL.	--	--	LOWER	NONE	NONE				
502H	0	SMT IL.	--	--	LOWER	YES	NONE				
502HLF	0	SMT IL.	--	--	LOWER	YES	NONE				
503	0	SMT IL.	--	--	LOWER	NONE	NONE				
503LF	0	SMT IL.	--	--	LOWER	NONE	NONE				
510	4	R/A	2.8	--	LOWER	NONE	YES	ND6			
510LF	4	R/A	2.8	--	LOWER	NONE	YES				
510H	4	R/A	2.8	--	LOWER	YES	YES				
520	5	R/A	2.8	--	LOWER	NONE	YES				
520LF	5	R/A	2.8	--	LOWER	NONE	YES				
520H	5	R/A	2.8	--	LOWER	YES	YES				
520HLF	5	R/A	2.8	--	LOWER	YES	YES				
530	2	R/A	1.48	--	LOWER	NONE	NONE				
530LF	2	R/A	1.48	--	LOWER	NONE	NONE				
540	2	R/A	2.5	--	LOWER	NONE	NONE				
540LF	2	R/A	2.5	--	LOWER	NONE	NONE				
505	FDR 0	R/A	2.8	8.6	UPPER	NONE	YES				
505LF	FDR 0	R/A	2.8	8.6	UPPER	NONE	YES				
535	FDR 2	R/A	1.48	9.28	UPPER	NONE	YES				
535LF	FDR 2	R/A	1.48	9.28	UPPER	NONE	YES				
545	FDR 2	R/A	2.5	10.3	UPPER	NONE	YES				
545LF	FDR 2	R/A	2.5	10.3	UPPER	NONE	YES				



NOTE  
 1. THIS PRODUCT MEETS EUROPEAN UNION DIRECTIVES AND OTHER COUNTRY REGULATIONS AS DESCRIBED IN GS-22-008.

92140-xxxH  
 (OPTIONAL HOLD DOWN)

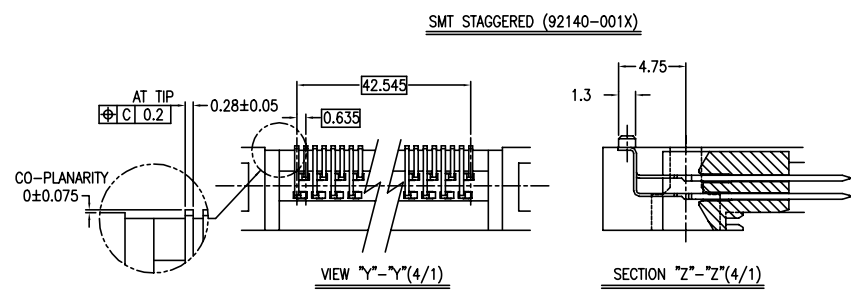
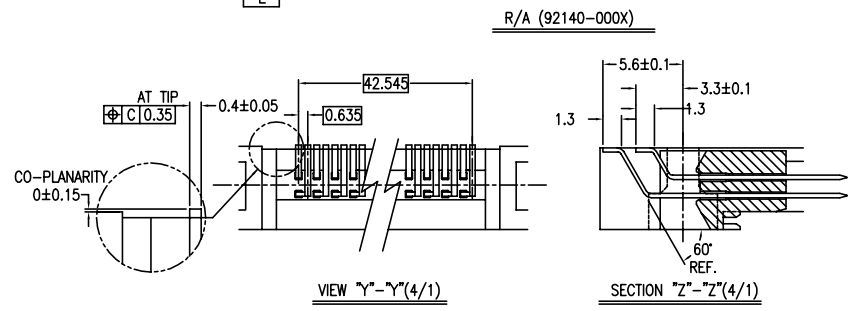
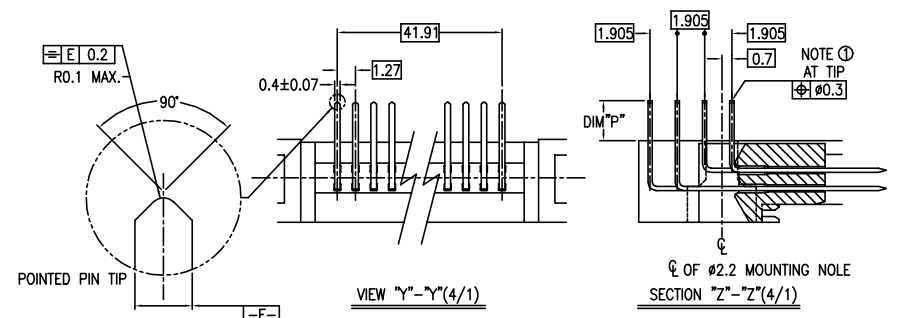
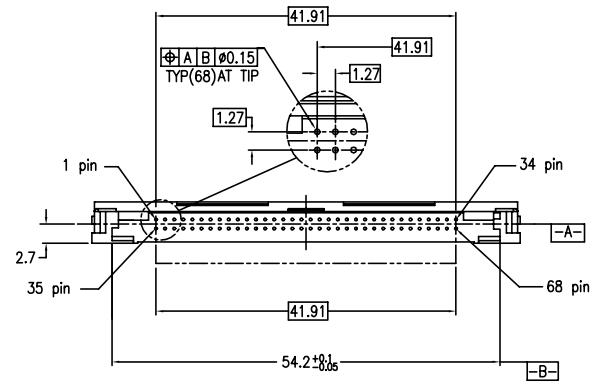
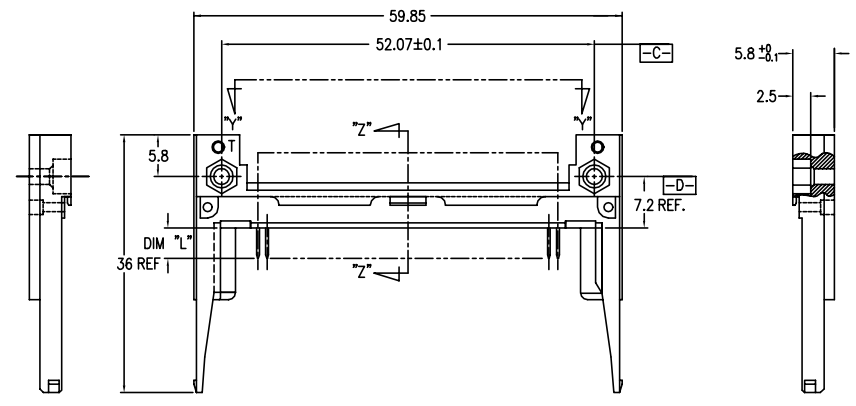
mat'l. code		surface		tolerance		projection		product family		PCMCIA	
		ISO 1302		ISO 406		ISO 1101					
l t r e c n o d r		date		tolerances unless otherwise specified		title					
AD N06-0286 M.Z		11/22/06		angles		linear		MM		68 POS EJECTOR HEADER ASSY FOR 5.0V APPLICATION	
AE N07-0026 D.T		1/28/07		±2'				scale			
AF N07-0114 C.M		05/14/07									
AG N07-0209 M.Z		11/14/08		dr Mike Zhou		11/21/06		dwg no		sheet 1 of 7	
AH N08-0219 M.Z		11/14/08		enr Mike Zhou		11/21/06		92140		A4	
AJ N09-0045 SH		05/26/09		chr David Qin		11/21/06		type		CUSTOMER Drawing	
				app Jack Wang		11/21/06					
sheet index		revision sheet		AJ AJ AJ AJ AJ AJ AJ							
1		2		3		4		5		6	

FCI CONFIDENTIAL

FCI connect.com

This document is the property of and embodies CONFIDENTIAL and PROPRIETARY information of FCI. No part of this information shown on this document may be used in any way or disclosed to others without the written consent of FCI. Copyright FCI.

PRODUCT NO.
92140-000M
92140-000MLF
92140-000H
92140-000HLF
92140-001
92140-001LF
92140-001H
92140-001HLF
92140-002
92140-002LF
92140-002H
92140-002HLF



- NOTES
- TRUE POSITION IS A FREE GRID TO PIN PATTERN ITSELF.
  - SEE TA-946 FOR PCB LAYOUT.
  - MATERIAL HOUSING : LCP UL94V-0 BLACK(SPECIAL VERSION MATERIAL: PA46).  
PIN : PHOSPHOR BRONZE(SPECIAL VERSION MATERIAL:BRASS).  
HOLD-DOWN : BRASS
  - FINISH PIN  
UNDER PLATING : 0.5µm MIN. Ni.  
CONTACT AREA : 0.1µm MIN. Au.  
OVER 0.5µm MIN. Pb-Ni.  
NOTE:SPECIAL VERSION:ONLY 0.25µm Au  
SOLDER AREA : 2.5µm MIN. Sn-Pb.  
OR 2.5µm MIN. PURE Sn.(FOR -XXLF)  
HOLD-DOWN : 2.5µm MIN. PURE Sn.

5. RECOMMENDED PCB HOLE (OPTIONAL HOLD-DOWN) : 2.3±0.1  
6. SEQUENCE PIN ASSIGNMENT

PIN No.	DIM "M"		
	OTHERS	36,67	5,0±0.1
	4.25±0.1	3.5±0.1	5.0±0.1
		1.17±0.1	3.5±0.1

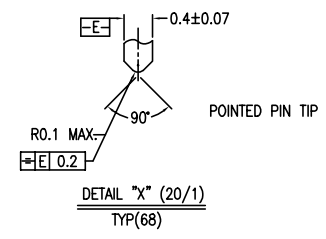
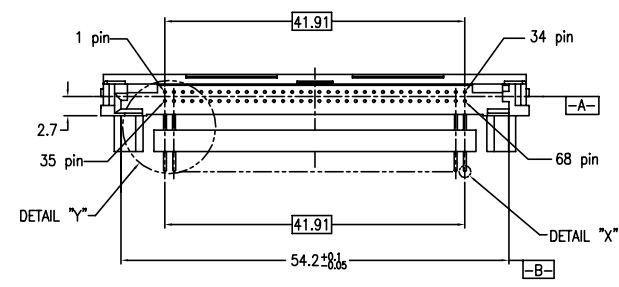
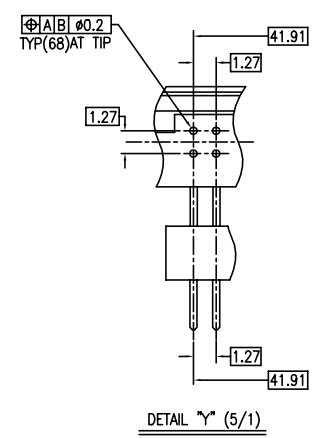
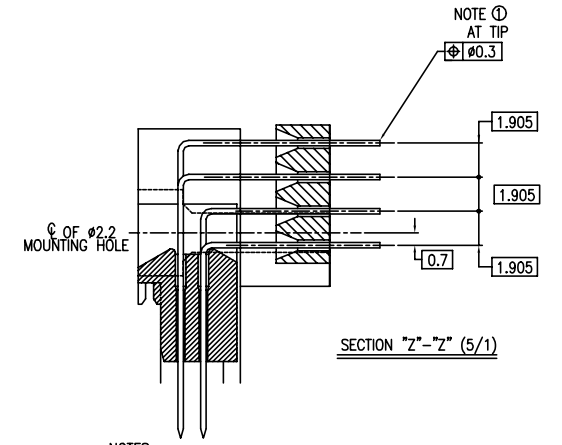
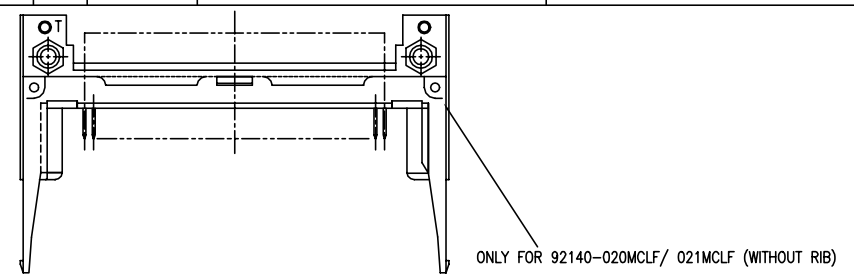
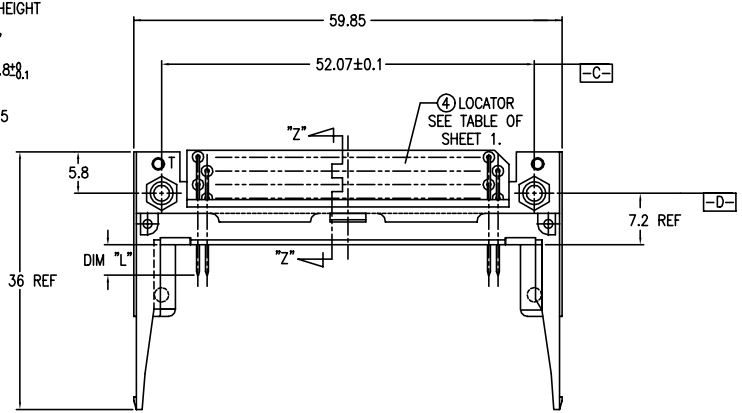
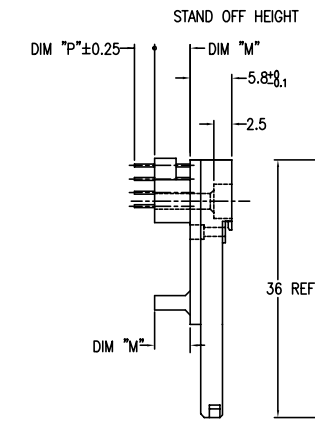
7. GENERAL TOLERANCE : ±0.3  
8. SEE SHEET 1 REGARDING COMPONENTS.

mat'l. code	surface ISO 1302	tolerance ISO 406	projection ISO 1101	product family PCMCIA
l'tec n nldr	date	tolerances unless otherwise specified	title	
AJ		angles linear ±0.3	MM	68 PDS EJECTOR HEADER ASSY
		dr Mike Zhou 11/21/06	scale	
		engr Mike Zhou 11/21/06		dwg no 92140 sheet 2 of 7 size A4
		chr David Qin 11/21/06		
		app Jack Wang 11/21/06		type CUSTOMER Drawing
sheet index	revision sheet			

FCI CONFIDENTIAL

FCI  
FCIconnect.com

PRODUCT NO.	PRODUCT NO.
92140-010	92140-010LF
92140-010H	92140-010HLF
92140-020	92140-020LF
92140-020H	92140-020HLF
92140-040	92140-040LF
92140-050	92140-050LF
92140-050H	92140-050HLF
92140-020MLF	92140-040HLF
92140-021MLF	



- NOTES
- TRUE POSITION IS A FREE GRID TO PIN PATTERN ITSELF.
  - SEE TA-946 FOR PCB LAYOUT.
  - MATERIAL  
HOUSING : LCP UL94V-0 BLACK.  
PIN : COPPER ALLOY  
HOLD-DOWN : BRASS
  - FINISH PIN  
UNDER PLATING : 0.5µm MIN. Ni.  
CONTACT AREA 1 : 0.1µm MIN. Au.  
OVER 0.5µm MIN. Pb-Ni.  
CONTACT AREA 2 : 0.25µm MIN. Au (FOR -XXXMLF).  
SOLDER AREA : 2.5µm MIN. Sn-Pb.  
OR 2.5µm MIN. PURE Sn.(FOR -XXXLF&XXXMLF)  
HOLD-DOWN : 2.5µm MIN. PURE Sn.
  - RECOMMENDED PCB HOLE (OPTIONAL HOLD-DOWN) : 2.3±0.1
  - SEQUENCE PIN ASSIGNMENT
- | PIN No. | DIM 'L'  |         |          |
|---------|----------|---------|----------|
|         | 4.25±0.1 | 3.5±0.1 | 5.0±0.1  |
| OTHERS  | 36.67    | 17.34   | 35.51.68 |
- GENERAL TOLERANCE : ±0.3
  - SEE SHEET 1 REGARDING COMPONENTS.
  - THIS PRODUCT MEETS EUROPEAN UNION DIRECTIVES AND OTHER COUNTRY REGULATIONS AS DESCRIBED IN GS-22-008

mat'l. code	surface ISO 1302	tolerance ISO 406 ISO 1101	projection	product family PCMCIA
ltr ecn no dr	date	tolerances unless otherwise specified	title	
AJ		angles linear ±0.3	MM	68 PDS EJECTOR HEADER ASSY
		scale		
dr	Mike Zhou 11/21/06		dwg no	sheet 3 of 7 size
enr	Mike Zhou 11/21/06		92140	A4
chr	David Qin 11/21/06		type	CUSTOMER Drawing
app	Jack Wang 11/21/06			
sheet index	revision sheet			

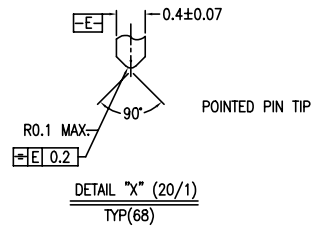
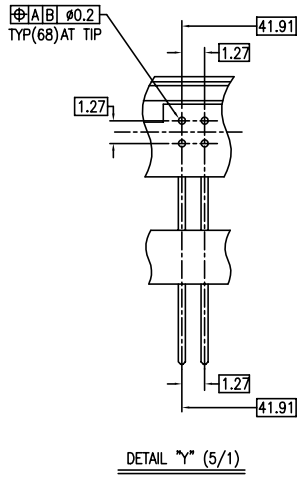
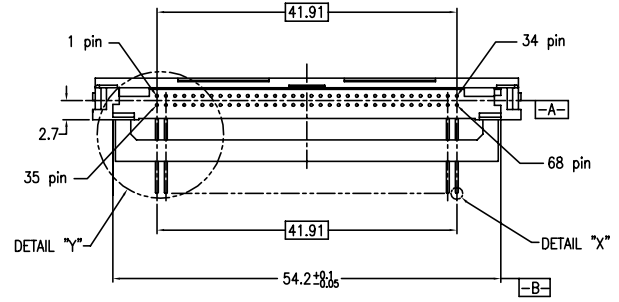
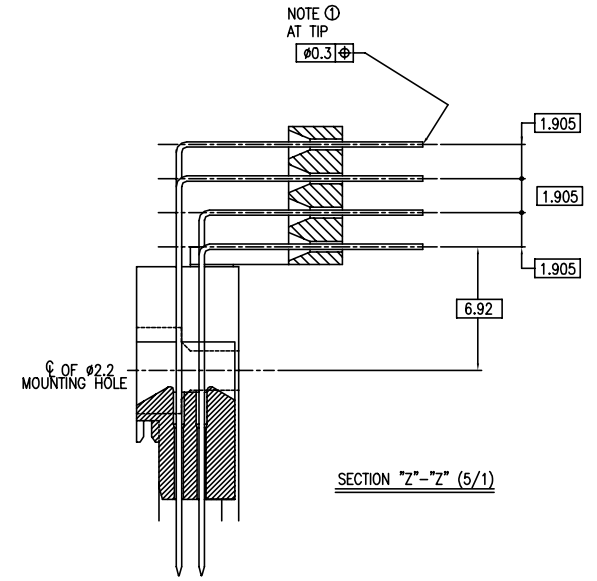
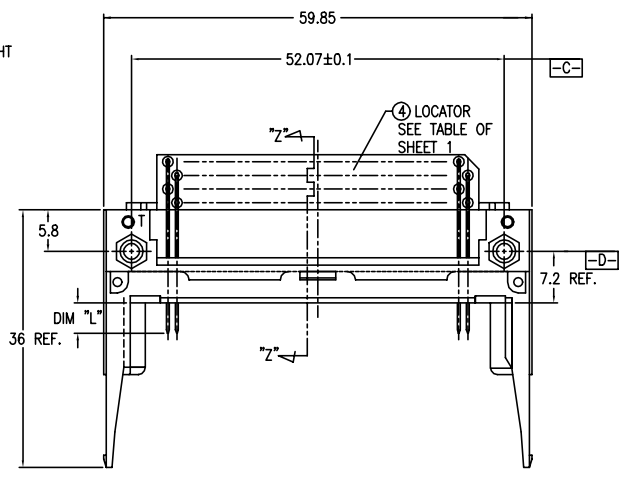
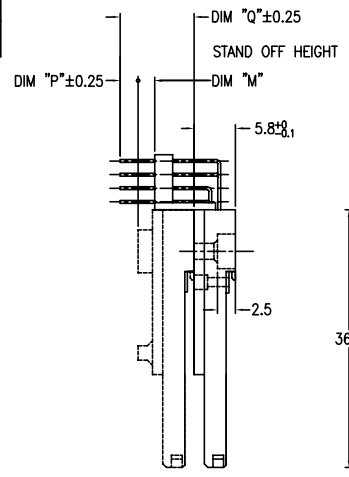
This document is the property of and embodies CONFIDENTIAL and PROPRIETARY information of FCI. No part of the information shown on this document may be used in any way or disclosed to others without the written consent of FCI. Copyright FCI.

FCI CONFIDENTIAL

FCI  
FCIconnect.com

This document is the property of and embodies CONFIDENTIAL and PROPRIETARY information of FCI. No part of the information shown on this document may be used in any way or disclosed to others without the written consent of FCI.  
Copyright FCI.

PRODUCT NO.
92140-005
92140-005LF $\Delta$
92140-045
92140-045LF $\Delta$



NOTES

- TRUE POSITION IS A FREE GRID TO PIN PATTERN ITSELF.
- SEE TA-946 FOR PCB LAYOUT.
- MATERIAL  
HOUSING : LCP UL94V-0 BLACK.  
PIN : PHOSPHOR BRONZE.  
HOLD-DOWN : BRASS
- FINISH PIN  
UNDER PLATING : 0.5µm MIN. Ni.  
CONTACT AREA : 0.1µm MIN. Au.  
OVER 0.5µm MIN. Pb-Ni.  
SOLDER AREA : 2.5µm MIN. Sn-Pb.  
OR 2.5µm MIN. PURE Sn.(FOR -XXXLF)  
HOLD-DOWN : 2.5µm MIN. PURE Sn.
- RECOMMENDED PCB HOLE (OPTIONAL HOLD-DOWN) : 2.3±0.1
- SEQUENCE PIN ASSIGNMENT

PIN No.	DIM "L"		
	4.25±0.1	3.5±0.1	5.0±0.1
OTHERS	36.67	1.17, 34	35, 51, 68

- GENERAL TOLERANCE : ±0.3
- SEE SHEET 1 REGARDING COMPONENTS.
- THIS PRODUCT MEETS EUROPEAN UNION DIRECTIVES AND OTHER COUNTRY REGULATIONS AS DESCRIBED IN GS-22-008

mat'l. code	surface ISO 1302	tolerance ISO 406 ISO 1101	projection MM	product family PCMCIA
tr.ecn no.dr	date	tolerances unless otherwise specified	angles linear ±0.3	title 68 PDS EJECTOR HEADER ASSY FOR 5.0V APPLICATION
AJ		±2'	scale	dwg no 92140
	dr Mike Zhou 11/21/06	enr Mike Zhou 11/21/06	chr David Qin 11/21/06	sheet 4 of 7 size A4
	app Jack Wang 11/21/06			type CUSTOMER Drawing

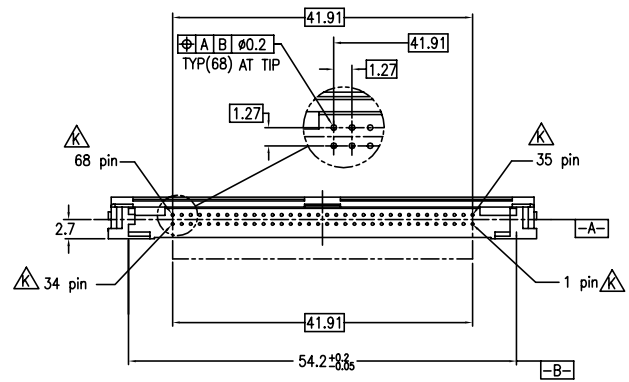
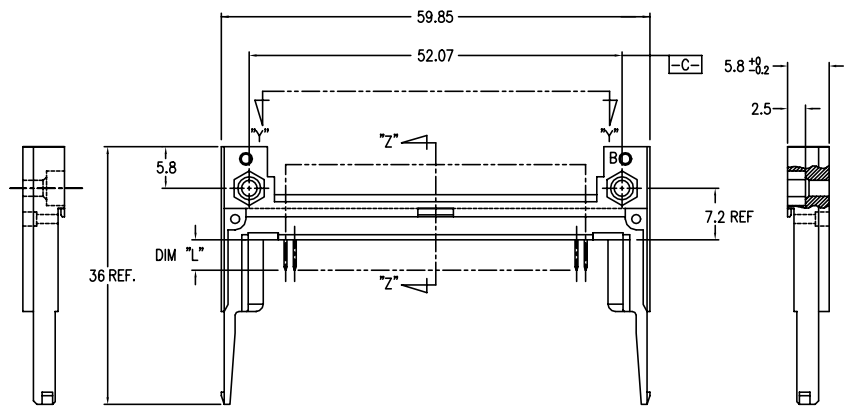
sheet index	revision sheet																			
-------------	----------------	--	--	--	--	--	--	--	--	--	--	--	--	--	--	--	--	--	--	--

FCI CONFIDENTIAL



This document is the property of and embodies CONFIDENTIAL and PROPRIETARY information of FCI. No part of the information shown on this document may be used in any way or disclosed to others without the written consent of FCI.  
Copyright FCI

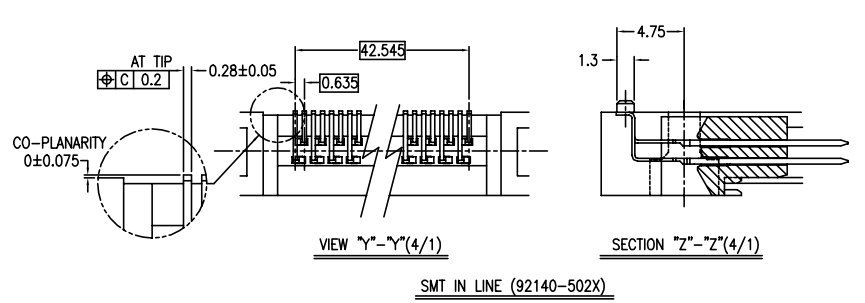
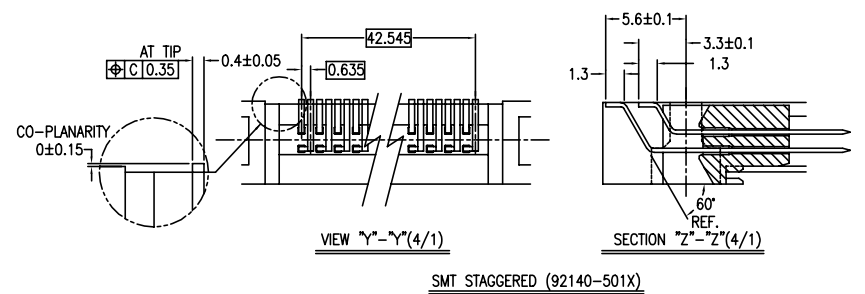
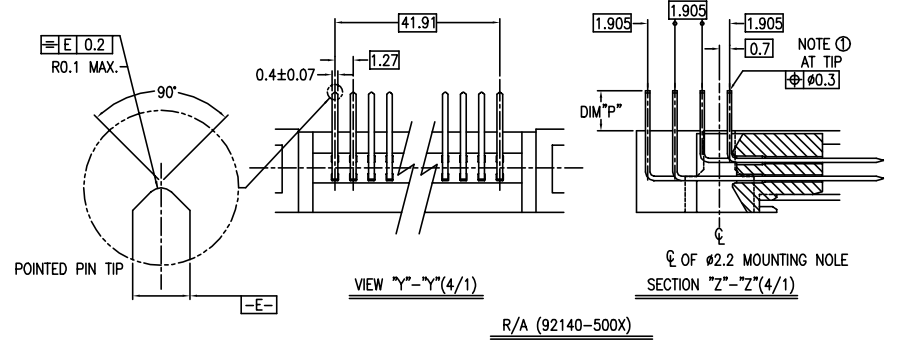
PRODUCT NO.
92140-500
92140-500LF
92140-500H
92140-500HLF
92140-501
92140-501LF
92140-501H
92140-501HLF
92140-502
92140-502LF
92140-502H
92140-502HLF
92140-503
92140-503LF



- NOTES
- TRUE POSITION IS A FREE GRID TO PIN PATTERN ITSELF.
  - SEE TA-946 FOR PCB LAYOUT.
  - MATERIAL  
HOUSING : LCP UL94V-0 NATURAL.  
PIN : PHOSPHOR BRONZE.  
HOLD-DOWN : BRASS
  - FINISH PIN  
UNDER PLATING : 0.5µm MIN. Ni.  
CONTACT AREA : 0.1µm MIN. Au.  
OVER 0.5µm MIN. Pb-Ni.  
SOLDER AREA : 2.5µm MIN. Sn-Pb.  
OR 2.5µm MIN. PURE Sn.(FOR -XXXLF)  
HOLD-DOWN : 2.5µm MIN. PURE Sn.
  - RECOMMENDED PCB HOLE (OPTIONAL HOLD-DOWN) : 2.3±0.1
  - SEQUENCE PIN ASSIGNMENT

	DIM "L"		
	4.25±0.1	3.5±0.1	5.0±0.1
PIN No.	OTHERS	36.67	1,17,34 35,51,68

- GENERAL TOLERANCE : ±0.3
- SEE SHEET 1 REGARDING COMPONENTS.
- THIS PRODUCT MEETS EUROPEAN UNION DIRECTIVES AND OTHER COUNTRY REGULATIONS AS DESCRIBED IN GS-22-008



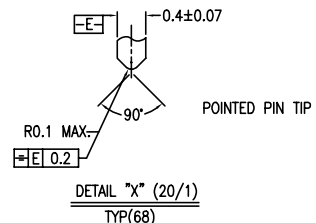
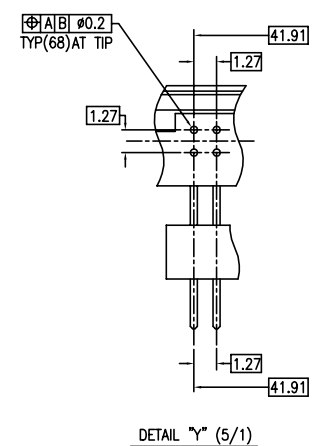
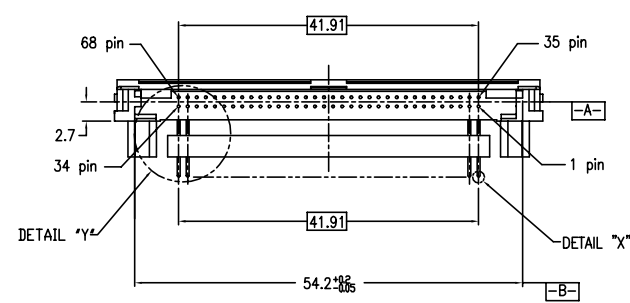
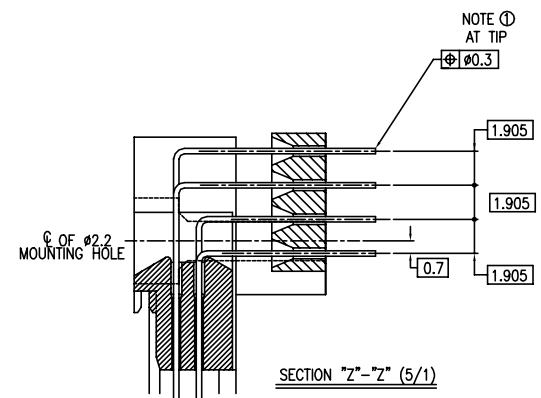
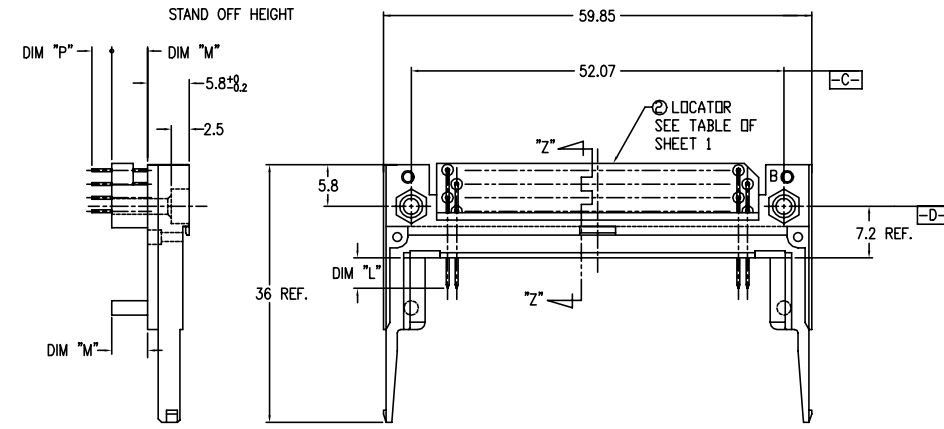
mat'l. code	surface	tolerance	projection	product family	PCMCIA
	ISO 1302	ISO 406	ISO 1101		
ltr ecn no dr	date	tolerances unless otherwise specified	title	68 PDS EJECTOR HEADER ASSY FOR 5.0V APPLICATION	
AJ		angles	linear	MM	
		±2'	±0.3	scale	
	dr	Mike Zhou	11/21/06	dwg no	sheet 5 of 7 size
	enr	Mike Zhou	11/21/06	92140	A4
	chr	David Qin	11/21/06	type	CUSTOMER Drawing
	app	Jack Wang	11/21/06		
sheet	revision				
index	sheet				

FCI CONFIDENTIAL

FCI

This document is the property of and embodies CONFIDENTIAL and PROPRIETARY information of FCI. No part of the information shown on this document may be used in any way or disclosed to others without the written consent of FCI. Copyright FCI.

PRODUCT NO.		
92140-510	92140-510LF $\Delta$	92140-510HLF $\Delta$
92140-520	92140-520LF $\Delta$	
92140-520H $\Delta$	92140-520HLF $\Delta$	
92140-530	92140-530LF $\Delta$	
92140-540	92140-540LF $\Delta$	



- NOTES
- TRUE POSITION IS A FREE GRID TO PIN PATTERN ITSELF.
  - SEE TA-946 FOR PCB LAYOUT.
  - MATERIAL  
HOUSING : LCP UL94V-0 NATURAL.  
PIN : PHOSPHOR BRONZE.  
HOLD-DOWN : BRASS
  - FINISH  
PIN  
UNDER PLATING : 0.5μm MIN. Ni.  
CONTACT AREA : 0.1μm MIN. Au.  
OVER 0.5μm MIN. Pb-Ni.  
SOLDER AREA : 2.5μm MIN. Sn-Pb.  
OR 2.5μm MIN. PURE Sn.(FOR -XXXLF)  
HOLD-DOWN : 2.5μm MIN. PURE Sn.
  - RECOMMENDED PCB HOLE (OPTIONAL HOLD-DOWN) : 2.3±0.1
  - SEQUENCE PIN ASSIGNMENT

PIN No.	DIM "L"		
	4.25±0.1	3.5±0.1	5.0±0.1
OTHERS	36.67	117.34	35.51.68

- GENERAL TOLERANCE : ±0.3
- SEE SHEET 1 REGARDING COMPONENTS.
- THIS PRODUCT MEETS EUROPEAN UNION DIRECTIVES AND OTHER COUNTRY REGULATIONS AS DESCRIBED IN GS-22-008

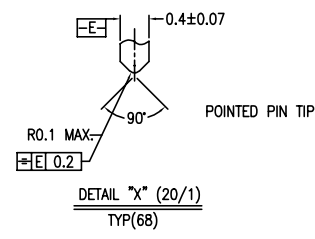
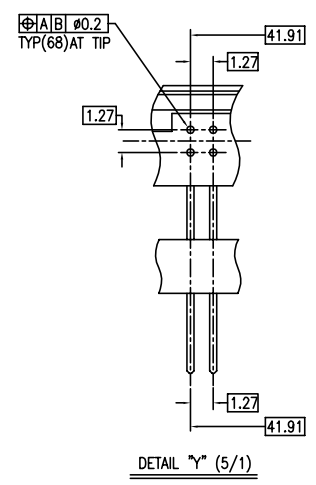
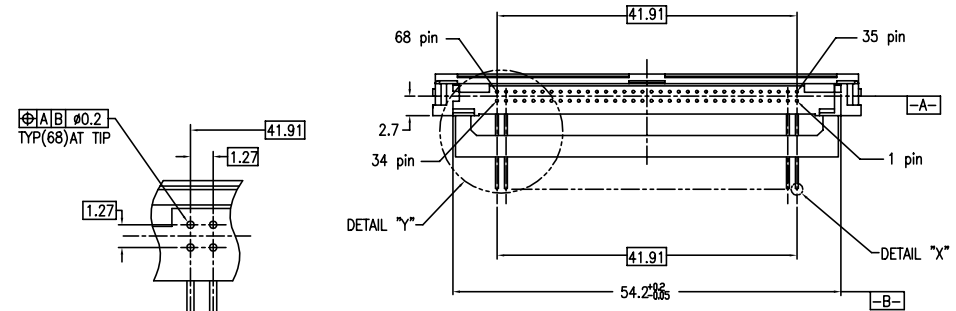
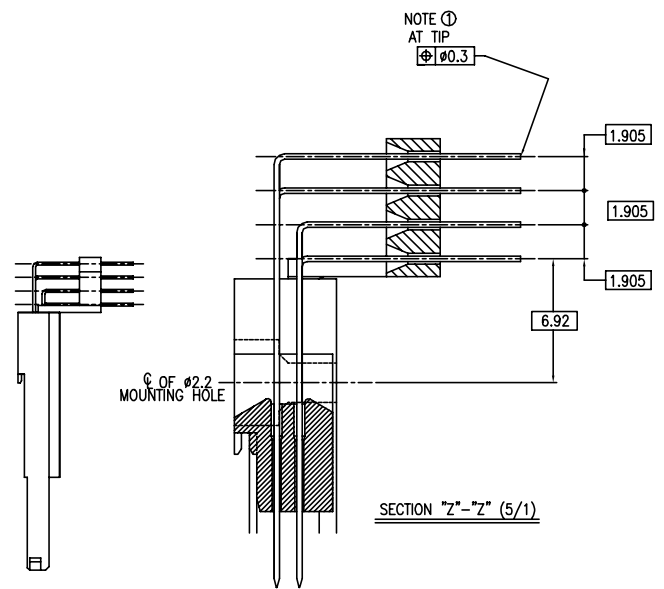
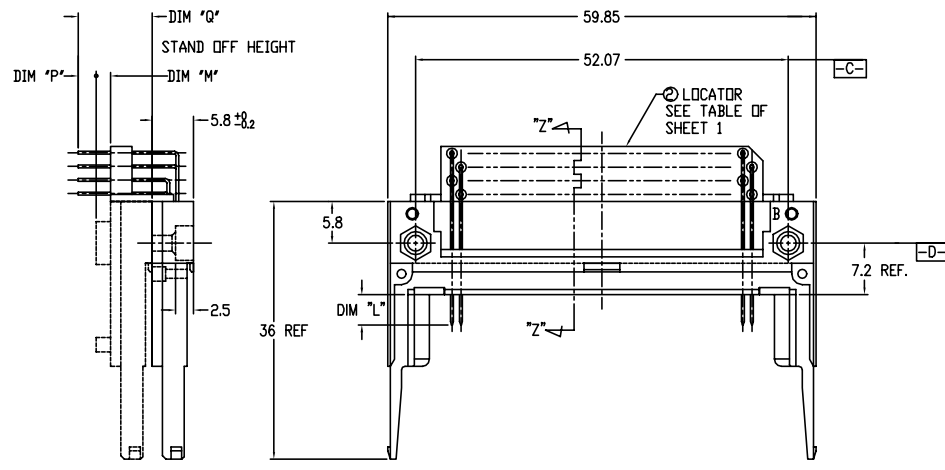
mat'l. code	surface	tolerance	projection	product family	PCMCIA
	ISO 1302	ISO 406	ISO 1101		
ltr ecn no dr	date	tolerances unless otherwise specified	title	68 PDS EJECTOR HEADER ASSY FOR 5.0V APPLICATION	
AJ		angles linear ±2'	MM	dwg no	sheet 6 of 7 size
		±2'	scale	92140	A4
	dr Mike Zhou	11/21/06		type	CUSTOMER Drawing
	enr Mike Zhou	11/21/06			
	chr David Qin	11/21/06			
	app Jack Wang	11/21/06			
sheet index	revision sheet				

FCI CONFIDENTIAL



This document is the property of and embodies CONFIDENTIAL and PROPRIETARY information of FCI. No part of the information shown on this document may be used in any way or disclosed to others without the written consent of FCI. Copyright FCI.

PRODUCT NO.
92140-505
92140-505LF
92140-535
92140-535LF
92140-545
92140-545LF



- NOTES
- TRUE POSITION IS A FREE GRID TO PIN PATTERN ITSELF.
  - SEE TA-946 FOR PCB LAYOUT.
  - MATERIAL  
HOUSING : LCP UL94V-0 NATURAL.  
PIN : PHOSPHOR BRONZE.  
HOLD-DOWN : BRASS
  - FINISH  
PIN  
UNDER PLATING : 0.5µm MIN. Ni.  
CONTACT AREA : 0.1µm MIN. Au.  
OVER 0.5µm MIN. Pb-Ni.  
SOLDER AREA : 2.5µm MIN. Sn-Pb.  
OR 2.5µm MIN. PURE Sn.(FOR -XXXLF)  
HOLD-DOWN : 2.5µm MIN. PURE Sn.
  - RECOMMENDED PCB HOLE (OPTIONAL HOLD-DOWN) : 2.3±0.1
  - SEQUENCE PIN ASSIGNMENT

PIN No.	DIM "L"		
	4.25±0.1	3.5±0.1	5.0±0.1
OTHERS	1.774	36.67	35.51.68

- GENERAL TOLERANCE : ±0.3
- SEE SHEET 1 REGARDING COMPONENTS.
- THIS PRODUCT MEETS EUROPEAN UNION DIRECTIVES AND OTHER COUNTRY REGULATIONS AS DESCRIBED IN GS-22-008

mat'l. code	surface	tolerance	projection	product family	PCMCIA
	ISO 1302	ISO 406 ISO 1101	1:1		
l'tec n odr	date	tolerances unless otherwise specified	title	68 PDS EJECTOR HEADER ASSY FOR 5.0V APPLICATION	
AJ		angles linear ±2'	MM	dwg no	sheet 7 of 7 size
		±2'	scale	92140	A4
	dr Mike Zhou 11/21/06			type	CUSTOMER Drawing
	enr Mike Zhou 11/21/06				
	chr David Qin 11/21/06				
	app Jack Wang 11/21/06				
sheet index	revision sheet				